



INSTRUCTIONS FOR
Model 203 And 425
Project-O-Stands



A Milestone AV Technologies Brand

3100 North Detroit Street
Warsaw, Indiana 46582
P: 574.267.8101 or 800.622.3737
F: 574.267.7804 or 877.325.4832
E: info@da-lite.com
www.da-lite.com

DL-0331 (Rev. 1 01.15)

© 2015 Milestone AV Technologies LLC. Printed in U.S.A.

48551



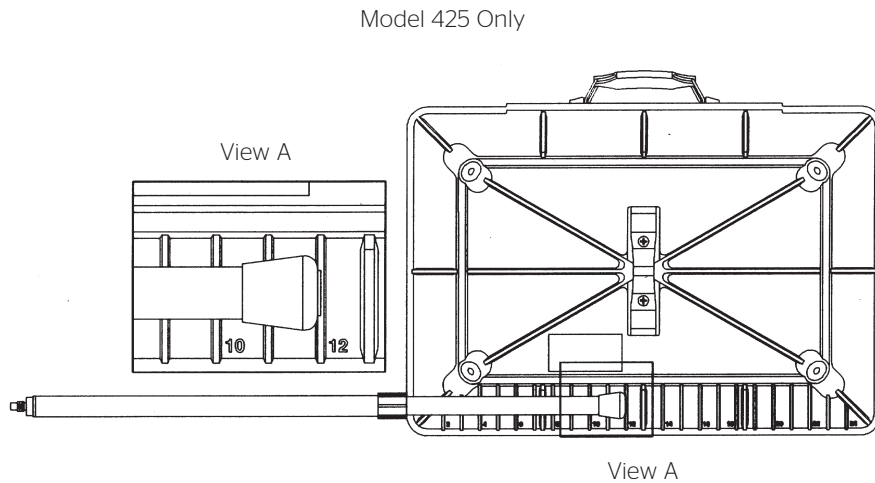
Set-Up Instructions

Remove all four legs from the rubber leg holder and screw into threaded inserts. To adjust leg length, loosen the Sure-Grip Camlock Collars, adjust to desired table height and tighten collar.

NOTE: The non-skid platform supports up to 125 lbs. with legs completely extended.

To take down and store your Project-O-Stand, adjust legs to shortest length, remove from table top and slip into rubber leg holder.

NOTE: Place legs into center slots of leg holder first, then place legs into outside slots.



Adjust all 4 legs to desired length before assembling to the table.

Care Instructions

Your new Project-O-Stand requires very little care. Dust as needed with a soft cloth; if required, use mild soap and water to clean off stubborn spots. Abrasive cleaners should be avoided as they may scratch the legs on both models.

Accessories

Model 208 Accessory Shelf

Convenient 14½" x 22" x ½" shelf may be used on all Project-O-Stands to create a convenient storage place for dissolve units, trays, cassettes, and presentation materials. Shelf is made of wood composition board with plastic laminate top and vinyl edges.

Model PS-B Piggy Back Stand

Aluminum rack may be securely attached to Model 203 Project-O-Stand and allows an additional EKTAGRAPHIC® projector to be stacked above the base unit. Projector legs drop into vinyl leg cups with adjustable spacing. Unit folds flat for storage and transportation.

